



The Vulcan PAR 18 is a super versatile, automated, high output luminaire. Offering full operational control over output and direction, this ultra-bright daylight lamphead combines exceptional levels of illumination, with super convenient control over focus, pan and tilt.

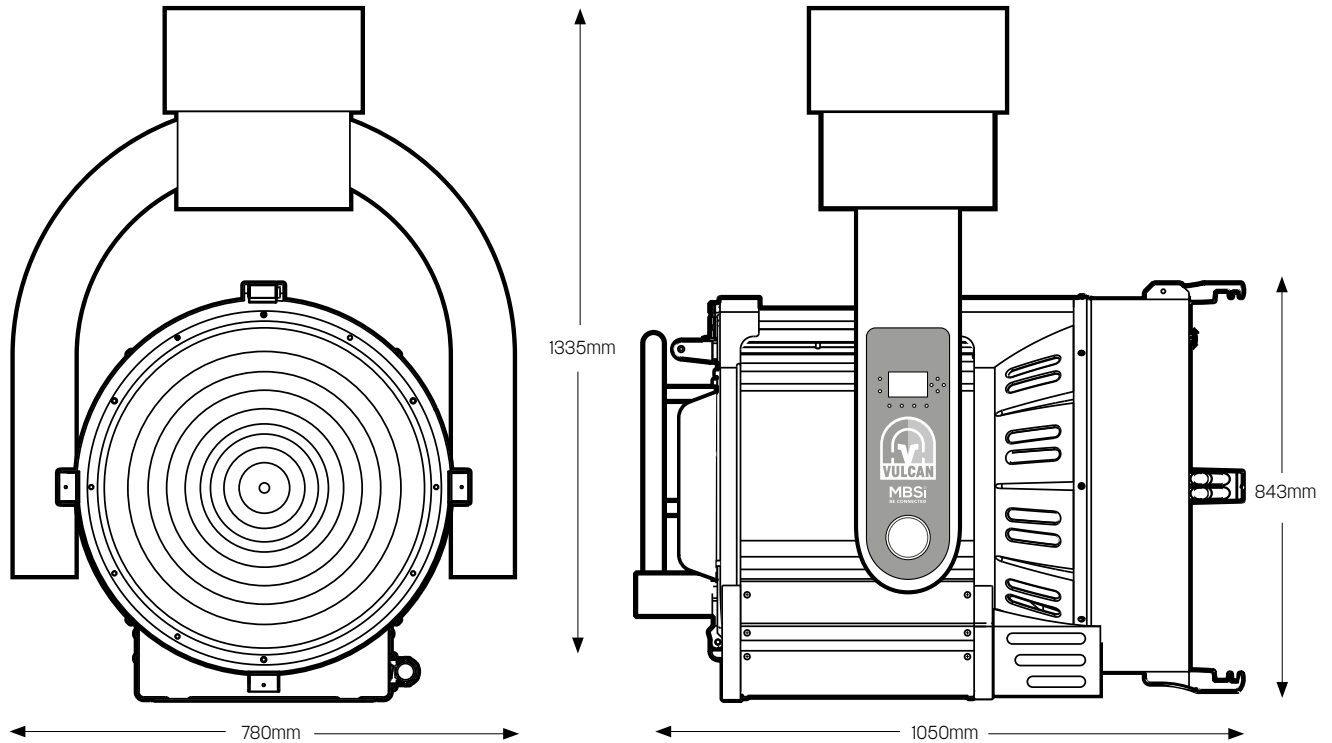
Designed for use with any suitably approved crane mount, truss build or scaffold installation, the Vulcan PAR 18 system delivers precise, directional illumination, controllable through 270°

Created around a faceted PAR 18kW head, the Vulcan's powerful daylight output and detailed, focusable beam, delivers smooth, evenly distributed light.

Exceptional performance combined with a robust, custom designed housing, which provides excellent resistance to the elements, makes the Vulcan an ideal shooting partner for all manner of applications, particularly when used to illuminate large scale location based productions.

- FULLY AUTOMATED
- HMI DAYLIGHT SOURCE
- HIGH SPEED ELECTRONIC BALLAST
- PRECISION FOCUS
- DMX AND REMOTE CONTROL
- PAN AND TILT THROUGH 270°





TECHNICAL DATA

LAMPHEAD - Daylight PAR Faceted F18kW

Capacity:	18000W
UV protective lens diameter:	ø645mm
Lamp type:	HMI 18000W SE
Colour temperature:	5600K
Lamp holder:	GX51
Class/IP rating:	1/IP23
Max. surface temperature:	260° C
Max. ambient temperature:	45* C
Min. distance to illuminated object:	15m
Dimensions (depth/width/height):	1050mm/780mm/1335mm
Weight (inc Vulcan yoke):	120kg
Weight (inc Vulcan yoke plus barndoor):	:126kg

ACCESSORIES

- Electronic ballast 18kW/12kW
- Lamphead to ballast cable: 15m (49 ft) or 20m (66 ft)
- 4-leaf rotatable barndoor
- Scrim set Ø737mm: full single, full double, half single, half double
- Safety cables (for lamphead and barndoor)
- Spill ring
- Stand off frame

SPOT 15°		
	BEAM Ø	LUX
15m	3.9m	50618
20m	5.3m	32490
30m	7.9m	14440

FLOOD 50°		
	BEAM Ø	LUX
15m	14m	9476
20m	18.7m	3365
30m	28m	1495